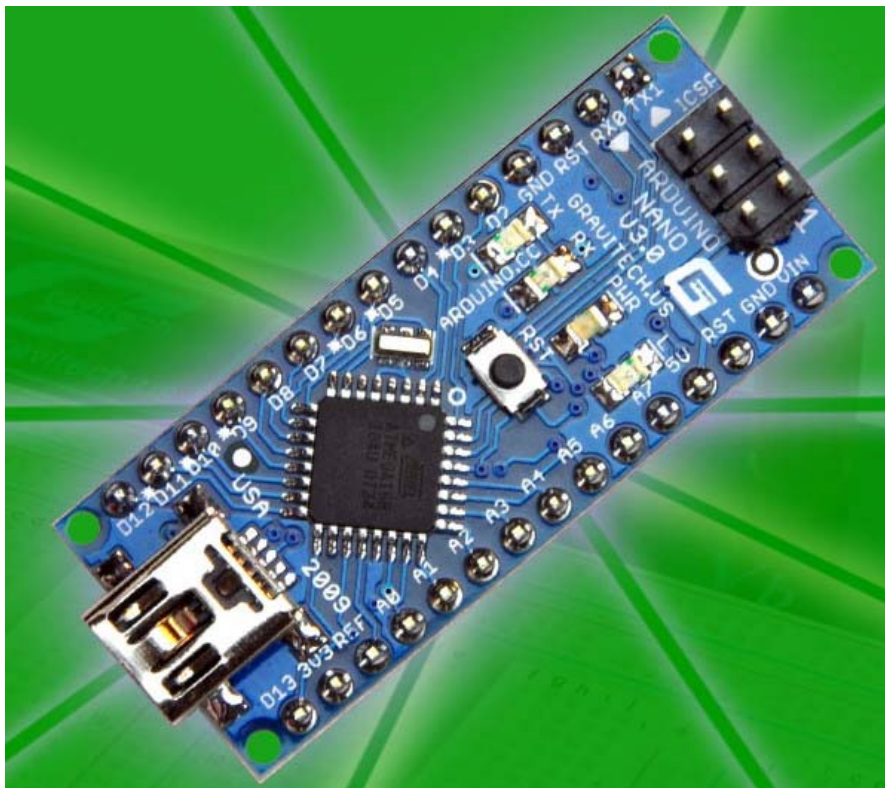


# *Arduino Nano (V3.0)*

## *User Manual*



Released under the Creative Commons Attribution Share-Alike 2.5 License

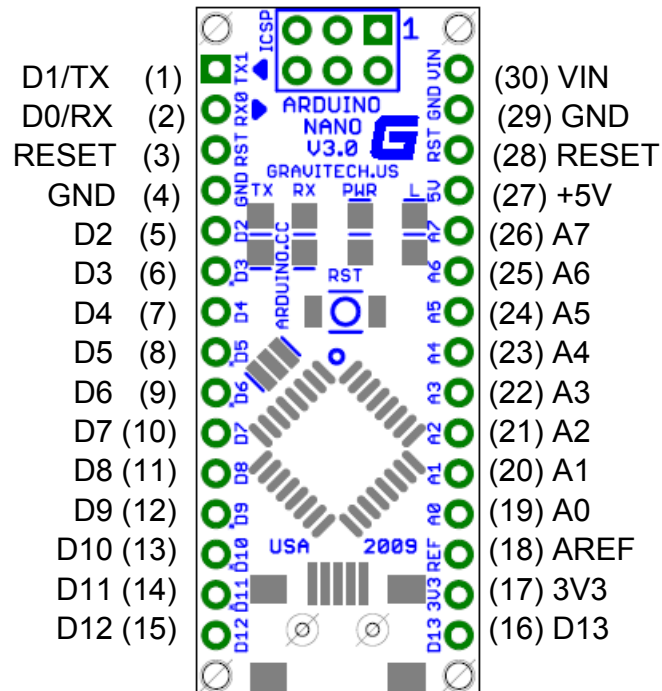
<http://creativecommons.org/licenses/by-sa/2.5/>

More information:

[www.arduino.cc](http://www.arduino.cc)

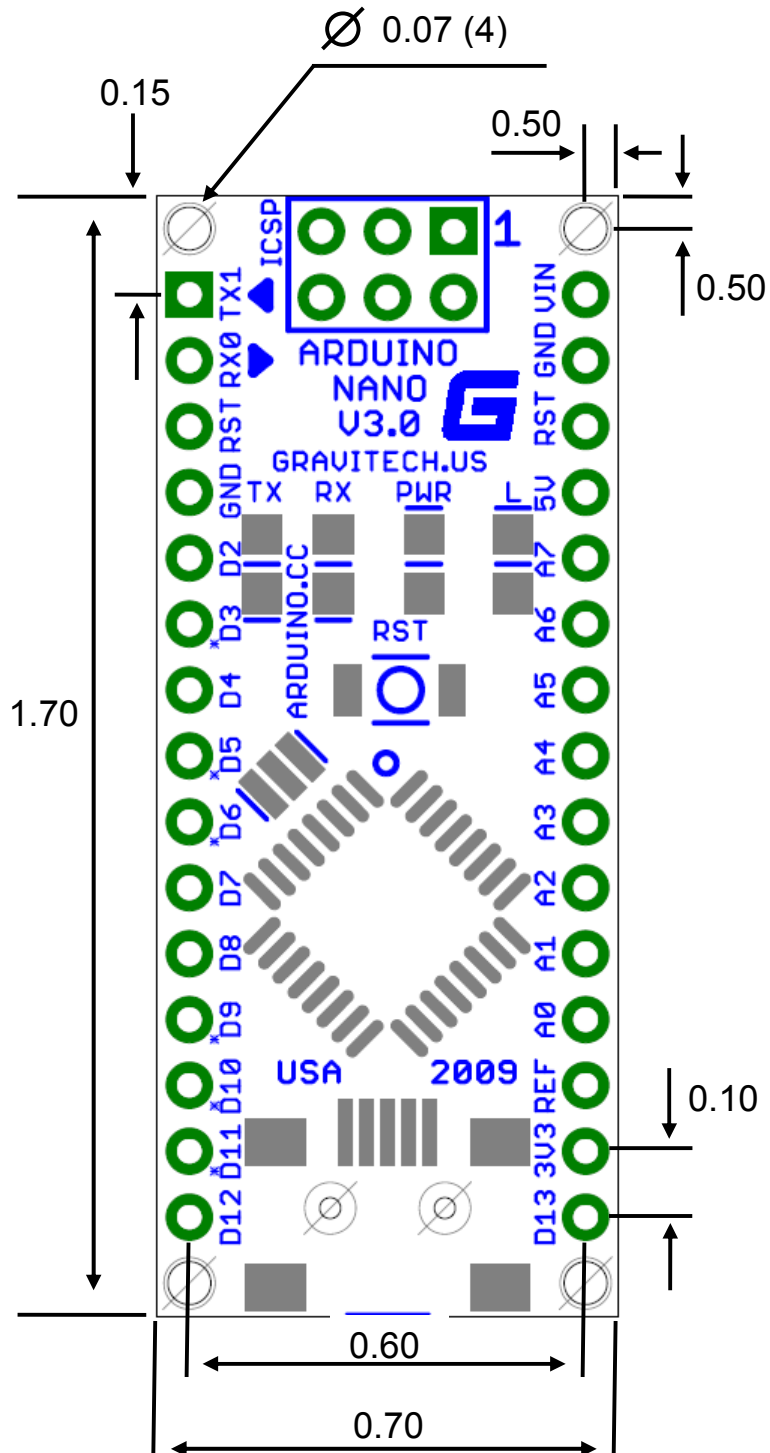
Rev 3.0

## Arduino Nano Pin Layout



Pin No.	Name	Type	Description
1-2, 5-16	D0-D13	I/O	Digital input/output port 0 to 13
3, 28	RESET	Input	Reset (active low)
4, 29	GND	PWR	Supply ground
17	3V3	Output	+3.3V output (from FTDI)
18	AREF	Input	ADC reference
19-26	A0-A7	Input	Analog input channel 0 to 7
27	+5V	Output or Input	+5V output (from on-board regulator) or +5V (input from external power supply)
30	VIN	PWR	Supply voltage

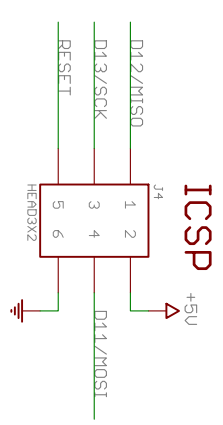
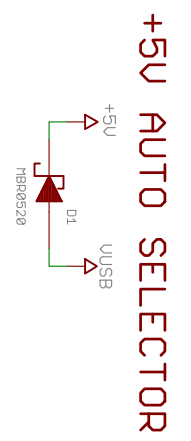
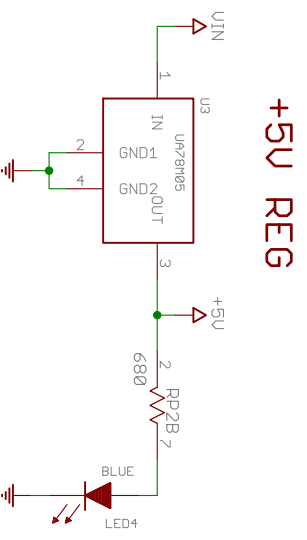
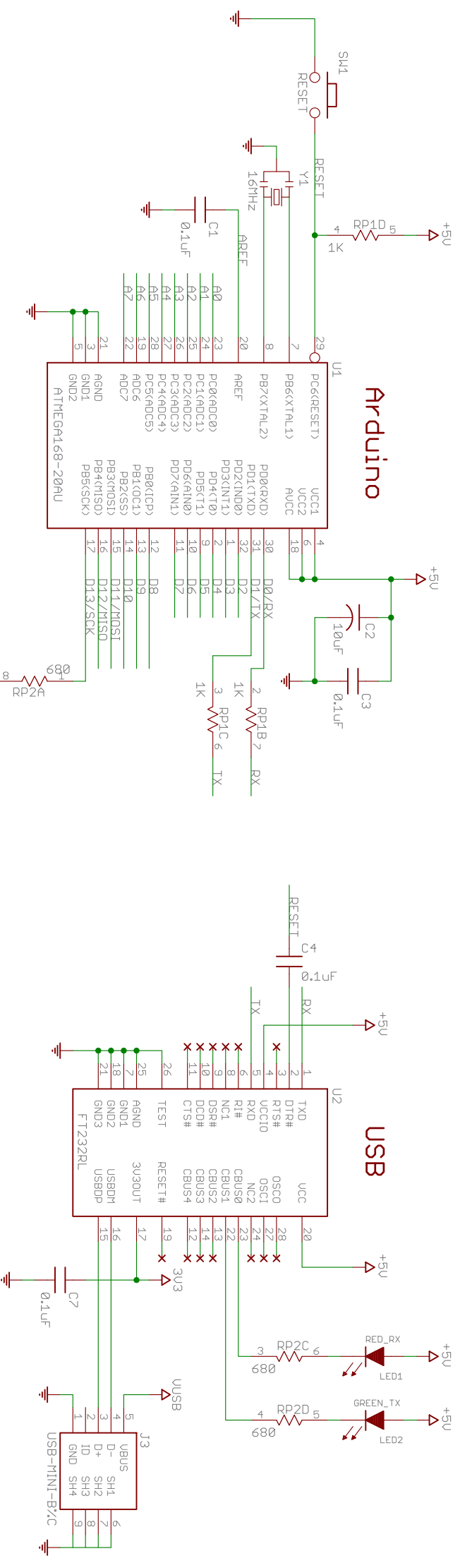
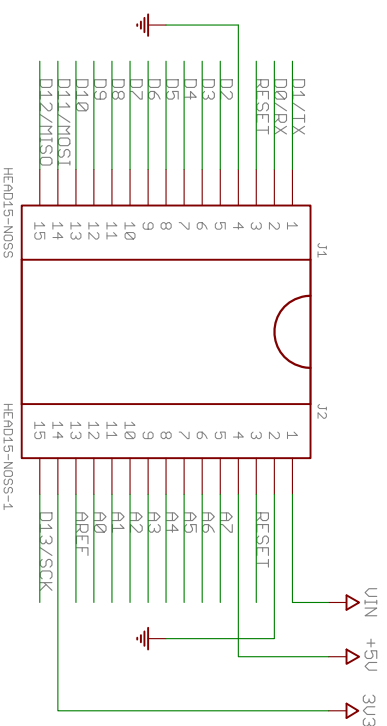
# Arduino Nano Mechanical Drawing



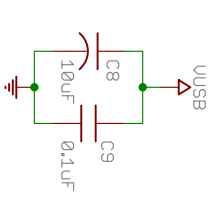
# Arduino Nano v3.0

Copyright 2010 under the Creative Commons Attribution Share-Alike 2.5 License

<http://creativecommons.org/licenses/by-sa/2.5/>



NOT USED  
 1k  
 RP1A



TITLE: Arduino Nano30_2010	
Document Number:	
Date: 3/4/2010 7:01:53 PM	Sheet: 1/1
REV: 3.0	

**Specifications:**

Microcontroller	Atmel ATmega328
Operating Voltage (logic level)	5 V
Input Voltage (recommended)	7-12 V
Input Voltage (limits)	6-20 V
Digital I/O Pins	14 (of which 6 provide PWM output)
Analog Input Pins	8
DC Current per I/O Pin	40 mA
Flash Memory bootloader)	32 KB (of which 2KB used by
SRAM	2 KB
EEPROM	1 KB
Clock Speed	16 MHz
Dimensions	0.70" x 1.70"